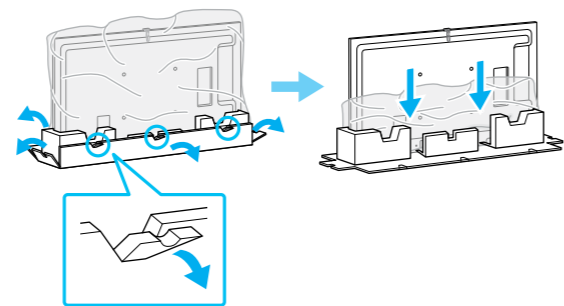
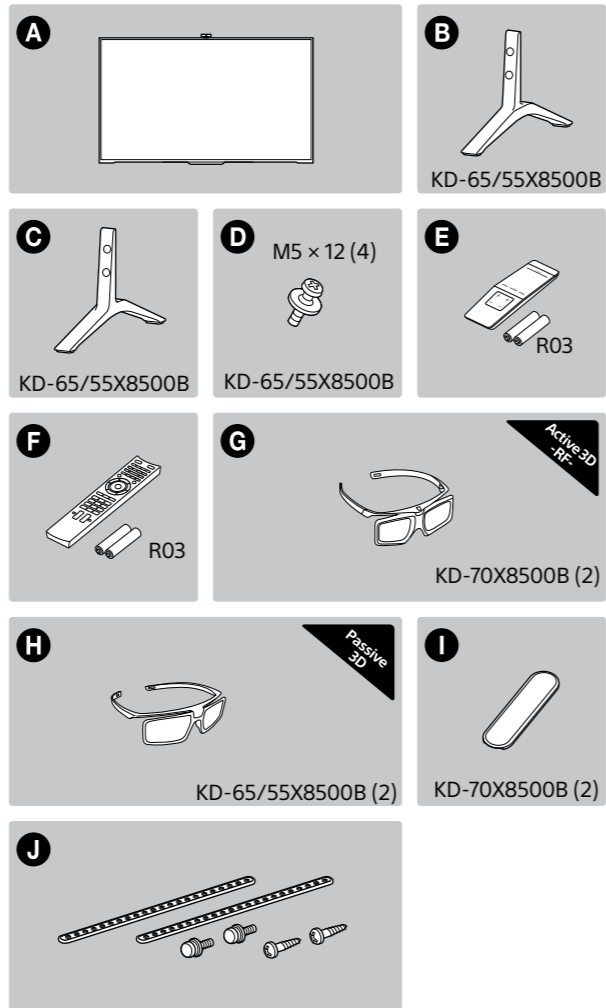
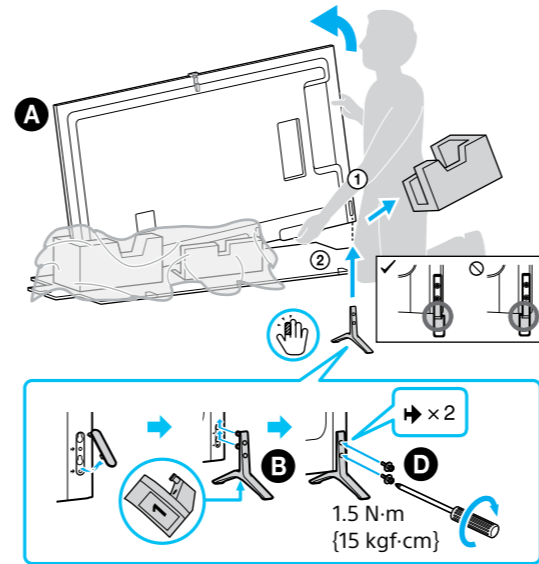


Quick Start Guide

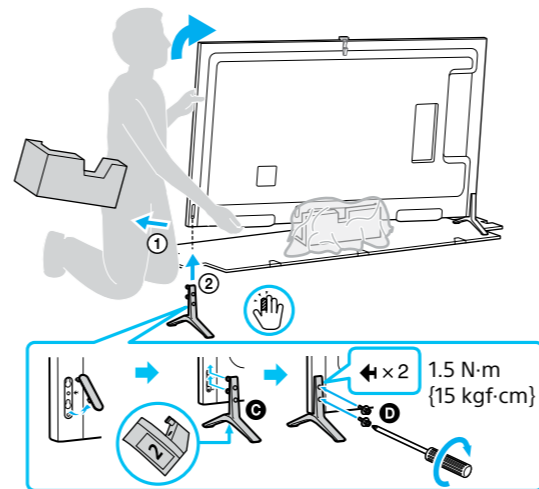


KD-65/55X8500B

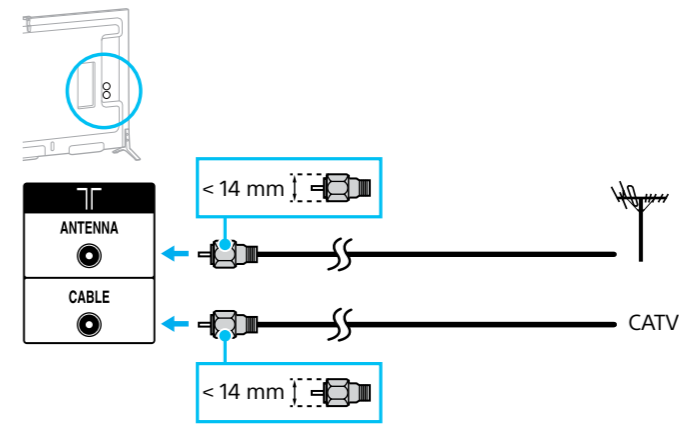
1



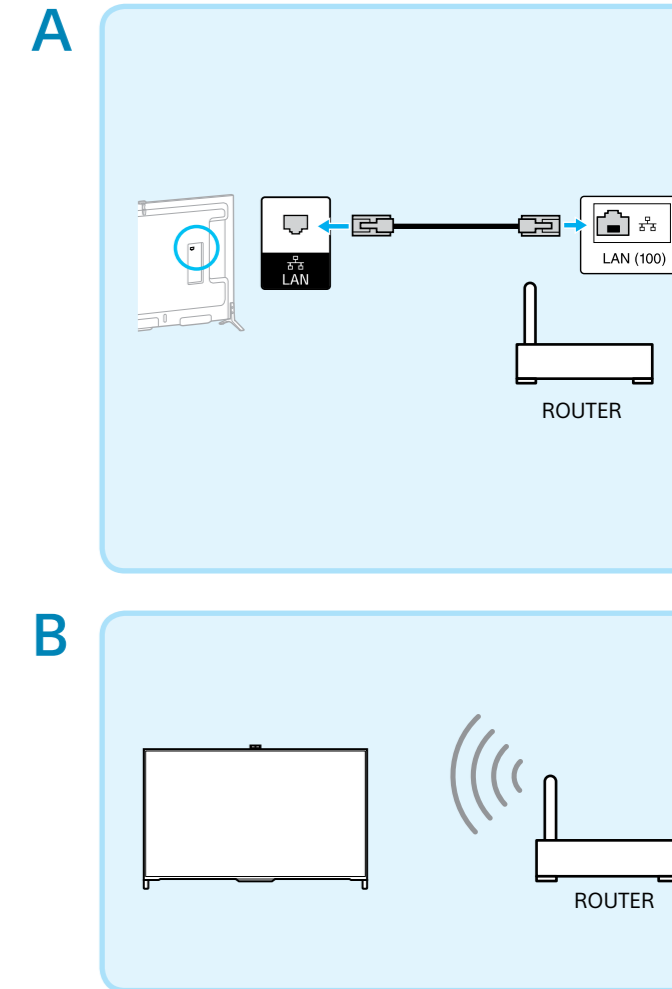
2



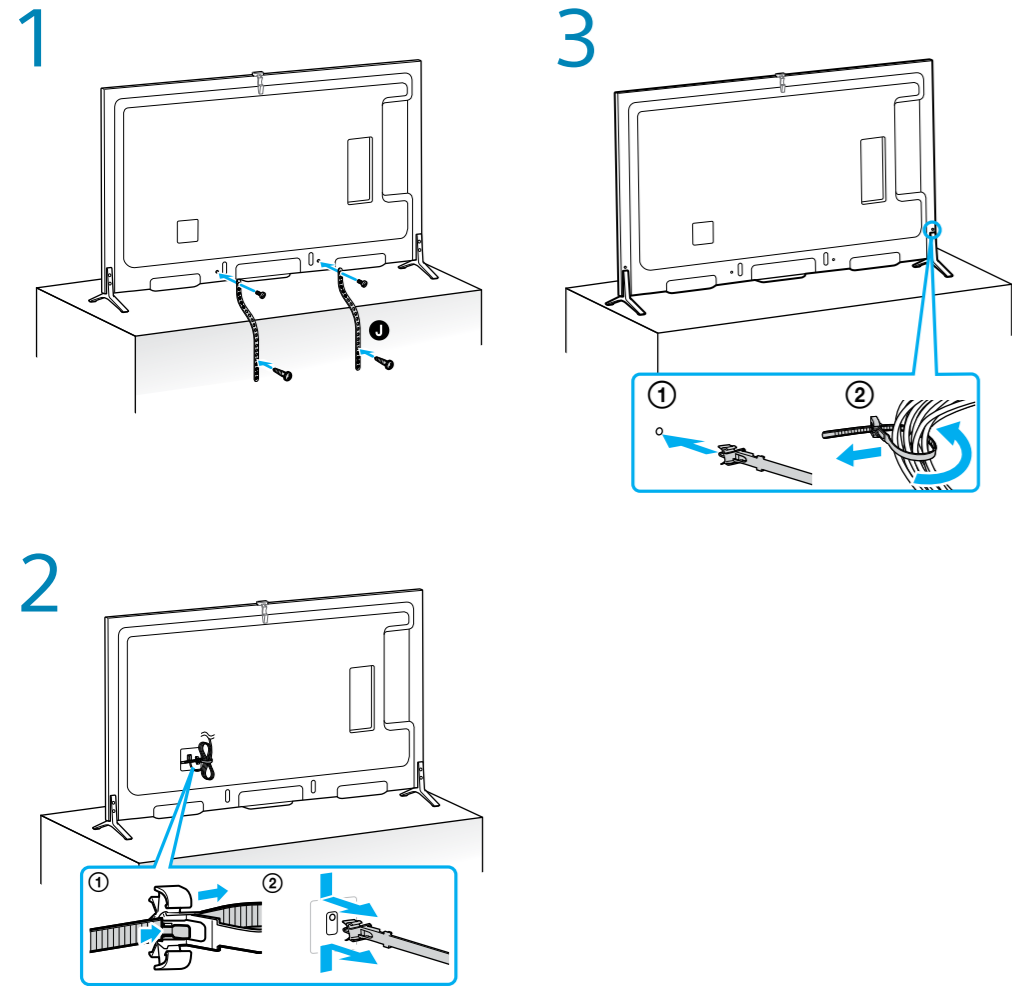
Refer to "Safety Information" in the Reference Guide before transporting the TV. To change the Table-Top Stand to an alternative position, refer to Reference Guide.



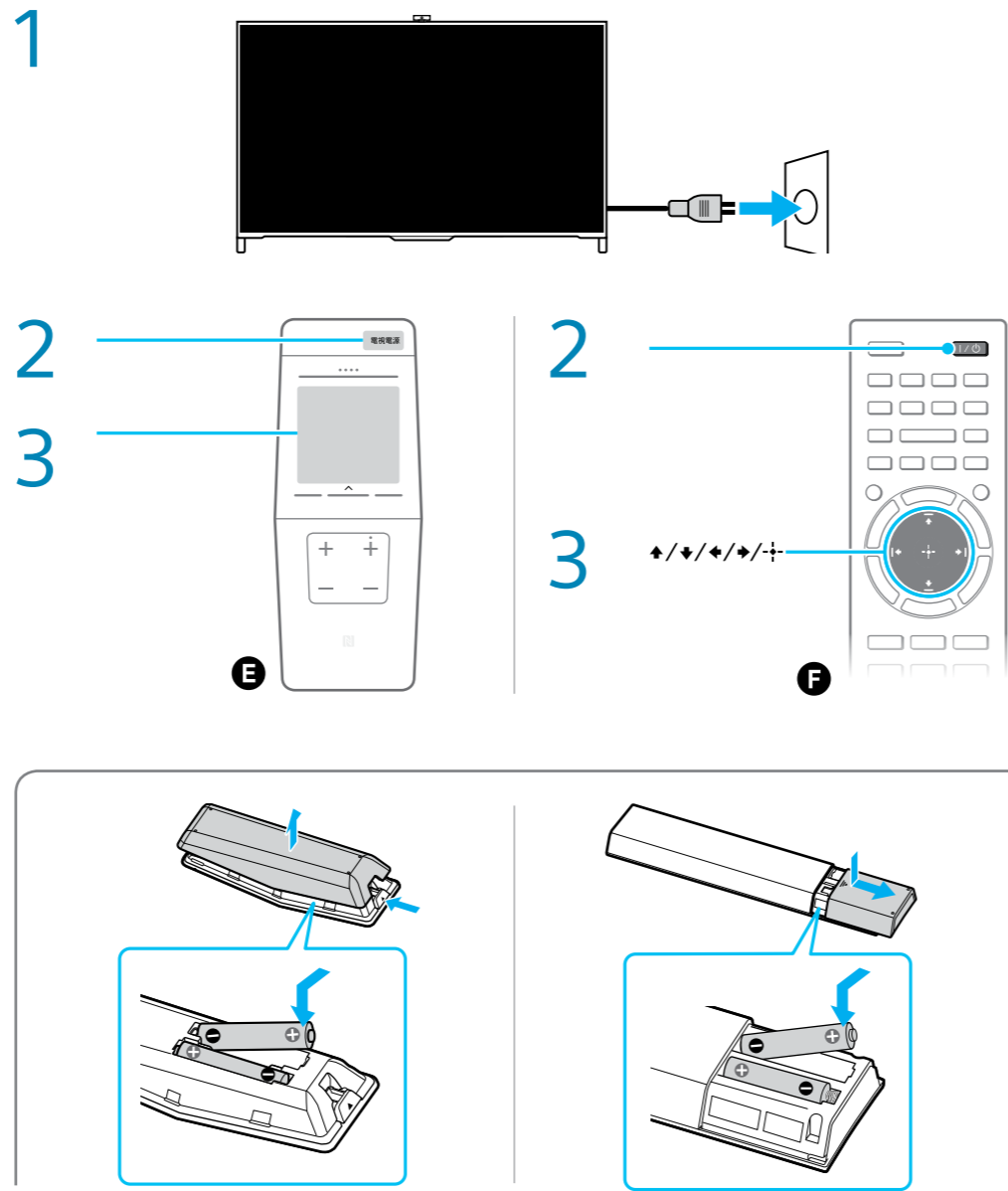
Connections Refer to "Connecting Other devices" in the Reference Guide for other connection methods.



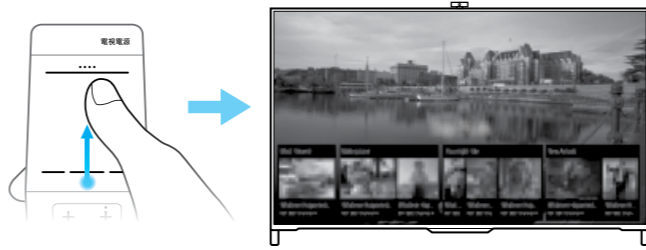
Internet connection Wired (use category 7 LAN cable) (A), wireless (B). Refer to the manufacturer or the manual supplied with the router on the router settings. For more information, press **i-MANUAL**, then select [Table-of Contents] → [Connecting to the Internet].



Installation Do not bundle the AC power cord (mains lead) together with other cables.



Go through the on-screen initial settings.



Slide from the 主選單 button up towards the centre to search for content (such as TV programmes, Internet contents, etc.). Contents that appear in Discover vary depending on your TV model/region/country.



Press 社群交流 to enjoy chatting with friends while watching TV. The available features in Social Viewing may vary depending on your TV model/region/country.



Reference Guide : Safety information, Precautions, Other connections, Wall-mounting, Troubleshooting, Specifications



i-Manual : Information on how to use all TV features

<http://www.sony-asia.com/support>