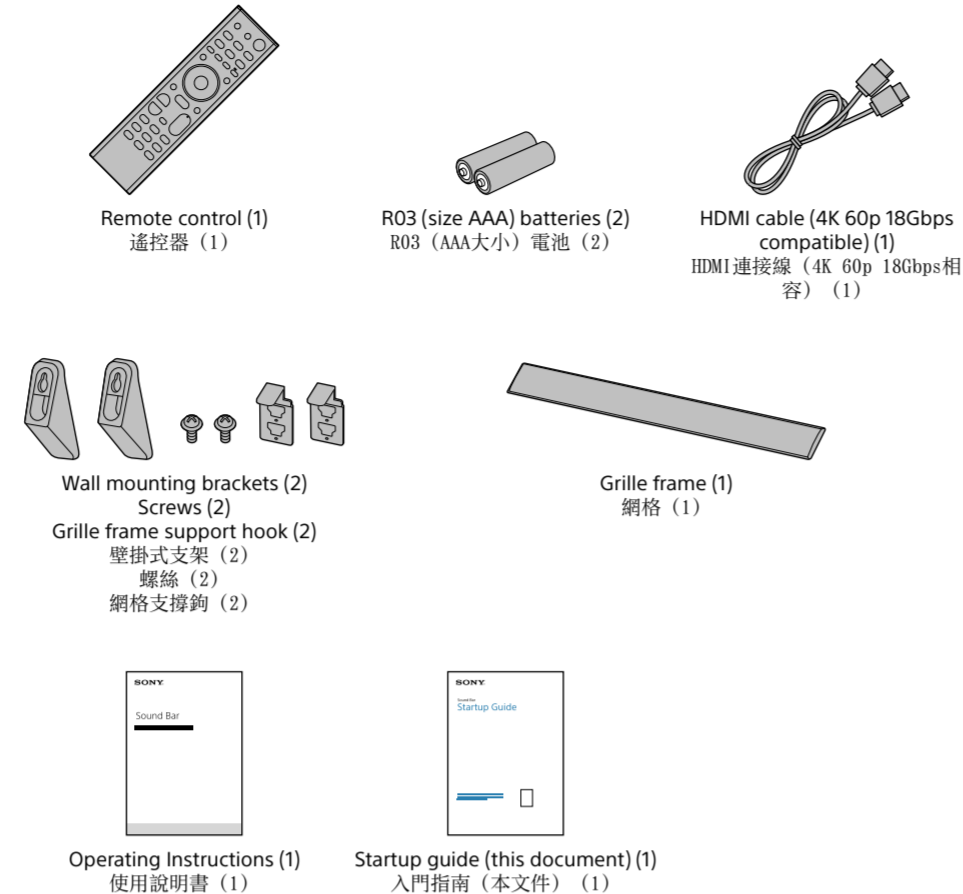


Sound Bar
Startup Guide
入門指南

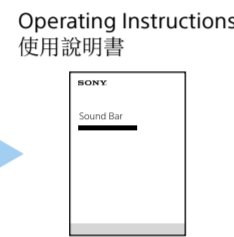
GB
CT

Supplied accessories
隨附的配件



Refer to the Operating Instructions (separate document) for the network settings, the NFC function, and other functions.

請參閱使用說明書 (另冊) 中的網路設定、NFC功能和其他功能。



About the operation method of the system

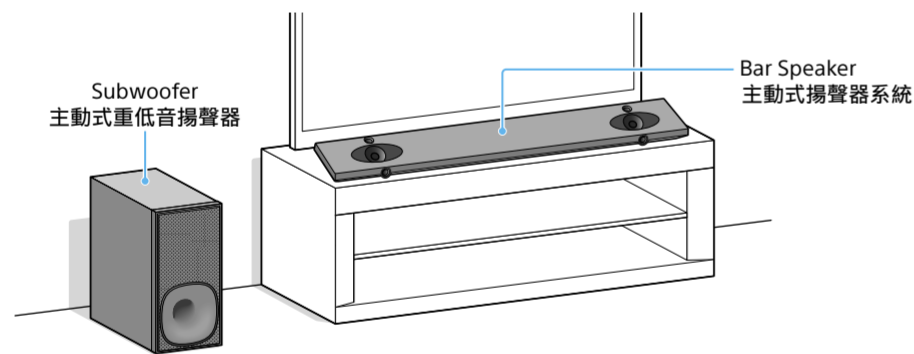
Connect this system and the TV with the HDMI cable (supplied) to display the operation screen of the system on the TV.

關於系統的操作方法

使用HDMI連接線 (隨附) 連接本系統與電視機，在電視機上顯示系統的操作畫面。

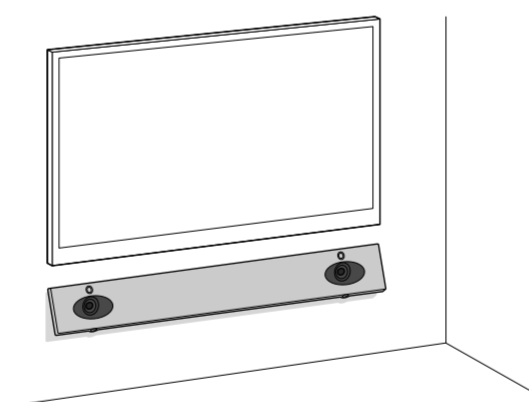
HT-NT5

1 Locating the installation position/確定安裝位置



- Note**
- Do not place magnetic cards on the system or near the system.
 - Do not place metal objects other than a TV around the system. Wireless functions may become unstable.
- 註**
- 請勿將磁卡放在系統上或系統附近。
 - 請勿將電視機以外的金屬物體放在系統附近。無線功能可能不穩定。

To mount the Bar Speaker on a wall
Refer to "Mounting the Unit on a Wall" in the Operating Instructions (separate document).
若要將主動式揚聲器系統安裝在牆上
請參閱使用說明書 (另冊) 中的 "將本裝置安裝到牆上"。

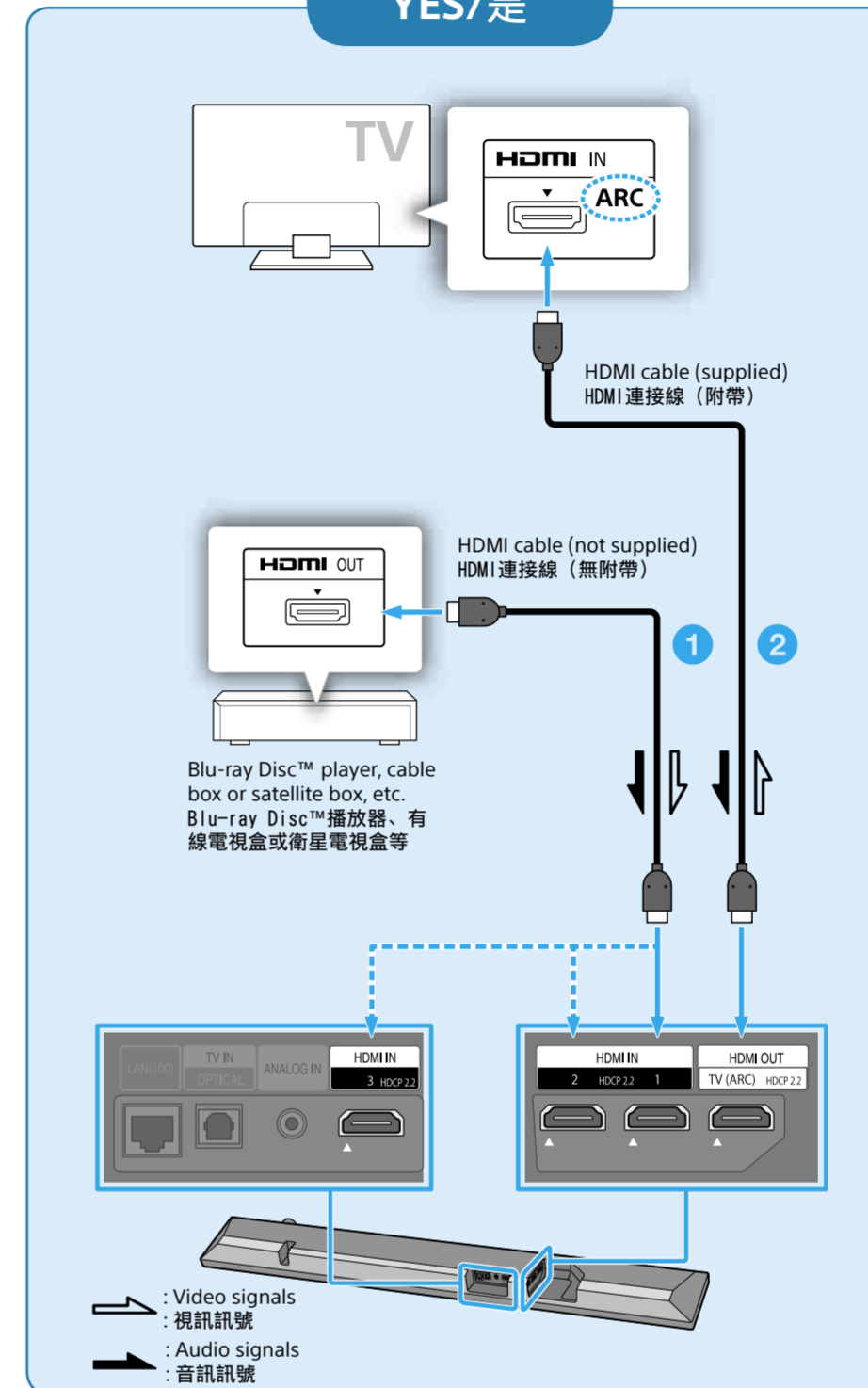


To attach the grille frame
Refer to "Attaching the Grille Frame" in the Operating Instructions (separate document).
若要安裝網格
請參閱使用說明書 (另冊) 中的 "安裝網格"。

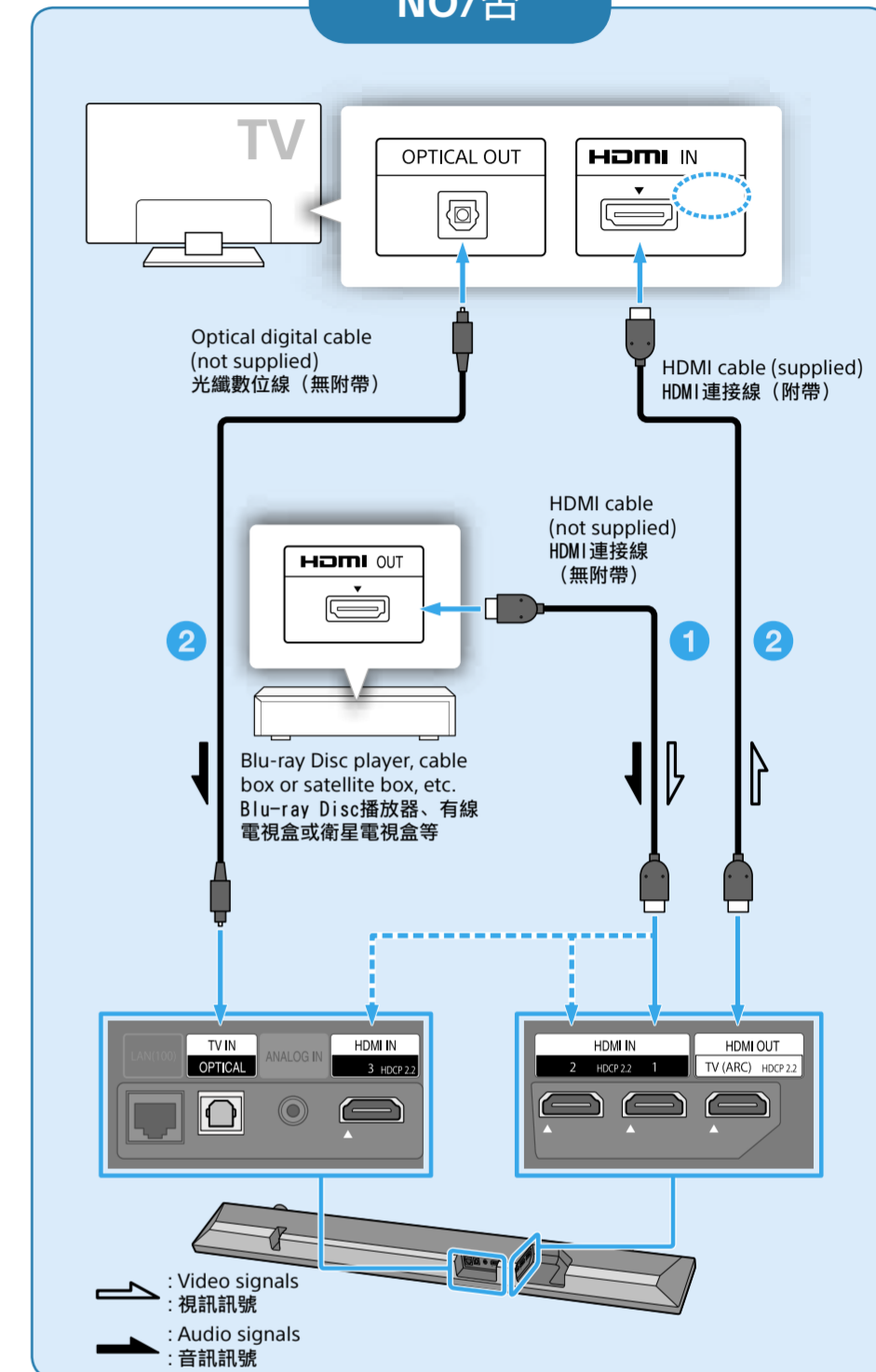
2 Connecting with a TV and other devices/連接電視機和其他裝置

Is the HDMI IN jack on your TV labeled "ARC" ?
您電視機上的HDMI IN插孔標示為 "ARC" 嗎?

YES/是



NO/否



- Connect devices such as a Blu-ray Disc player, cable box, or satellite box to any of the HDMI IN jacks (HDMI1/2/3) on the Bar Speaker. When devices such as a Blu-ray Disc player, cable box, or satellite box are currently connected to a TV, disconnect them from the TV and then connect them to the Bar Speaker to reproduce the high quality surround sound of Dolby TrueHD, DTS-HD, DTS. To enjoy images in 4K/60p, usage of the Premium High Speed HDMI cable(s) with Ethernet is recommended. For details, refer to "Supported Input Video Formats" in the Operating Instructions (separate document).
 - Connect a TV to the HDMI OUT jack on the Bar Speaker. If the TV is not compatible with ARC, also connect the TV to the TV IN OPTICAL jack on the Bar Speaker.
- 1 將Blu-ray Disc播放器、有線電視盒或衛星電視盒等裝置連接到主動式揚聲器系統上的任一HDMI IN插孔 (HDMI1/2/3)。
Blu-ray Disc播放器、有線電視盒或衛星電視盒等裝置目前已連接到電視機時，將裝置與電視機斷開連接，然後連接到主動式揚聲器系統以重現Dolby TrueHD、DTS-HD、DTS等的高品質環繞聲。若要以4K/60p欣賞影像，建議使用支援乙太網路的優質高速HDMI連接線。如需詳細資訊，請參閱使用說明書 (另冊) 中的 "支援的輸入視訊格式"。
- 2 將電視機連到主動式揚聲器系統上的HDMI OUT插孔。如果電視機與ARC不相容，也請將電視機連接到主動式揚聲器系統上的TV IN OPTICAL插孔。

Tip

- The Standby Through function allows you to output HDMI signals to the TV even when the system is in standby mode. Set the settings as follows: Press HOME - [Setup] - [System Settings] - [HDMI Settings] - [Standby Through], then select [Auto] or [On].
- To enjoy copyright-protected 4K content, refer to "Connection for Viewing Copyright-protected 4K Content" in the Operating Instructions (separate document).

Note

- Make sure that the cables are firmly inserted.

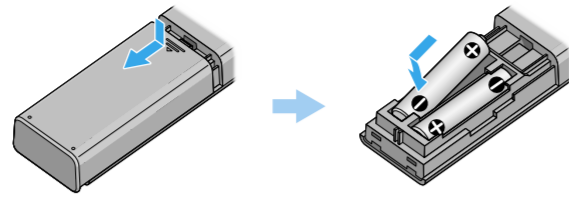
提示

- 即使系統處於待機模式，待機直通功能也可讓您將HDMI訊號輸出到電視機。如下指定設定：按HOME - [設定] - [系統設定] - [HDMI設定] - [待機直通]，然後選擇[自動]或[開]。
- 若要欣賞有版權保護的4K內容，請參閱使用說明書 (另冊) 中的 "連接以檢視有版權保護的4K內容"。

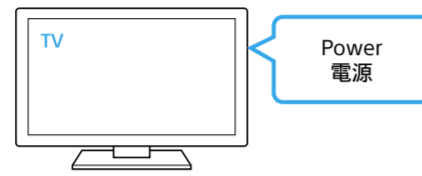
註

- 確定連接線牢固地插入。

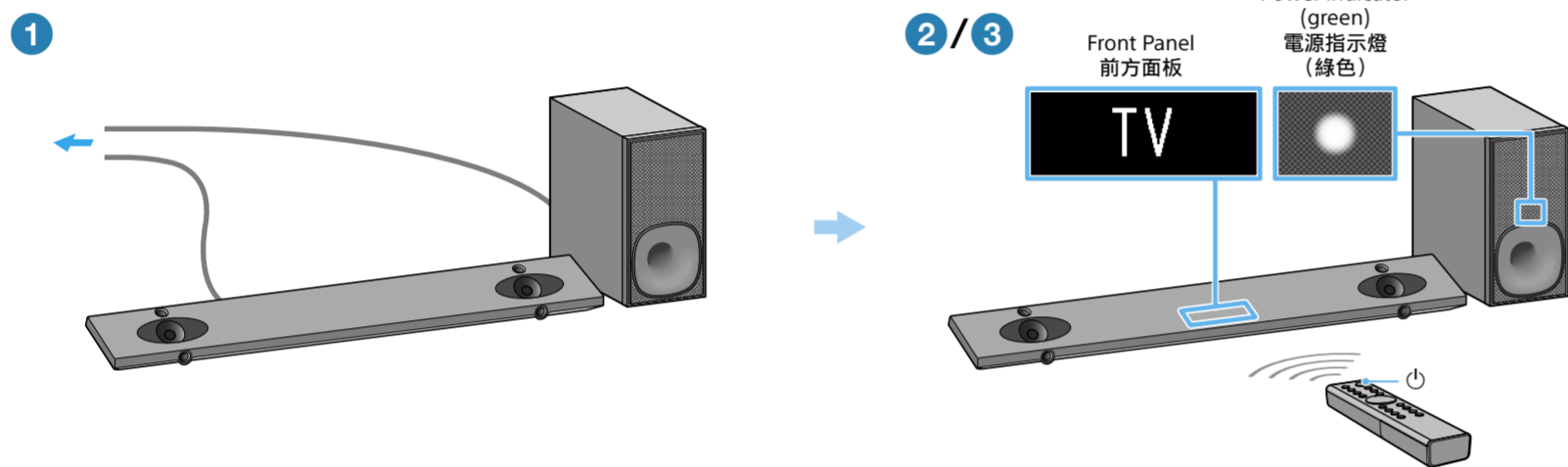
3 Setting up the remote control/設定遙控器



4 Turning on the TV/開啟電視機的電源

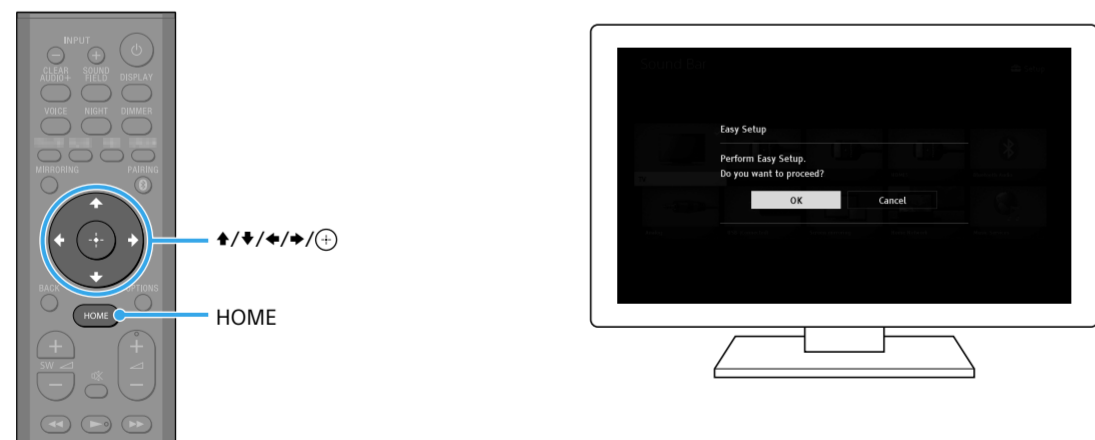


5 Turning on the system/開啟系統的電源



- 1 Connect the AC power cords (mains leads) of the Bar Speaker and subwoofer.
 - 2 Press (power) of the remote control. The front panel display lights up.
 - 3 Confirm that the power indicator of the subwoofer is lit in green. If not, refer to "Subwoofer" of "Troubleshooting" in the Operating Instructions (separate document).
 - 4 Turn on the connected device.
- 1 連接主動式揚聲器系統和主動式重低音揚聲器的AC電源線。
 - 2 按下遙控器的 (電源)。前方面板顯示幕亮起。
 - 3 確認主動式重低音揚聲器的電源指示燈亮綠色。否則，請參閱使用說明書(另冊)中“故障排除”的“主動式重低音揚聲器”。
 - 4 開啟外接裝置。

6 Performing Easy Setup/進行簡易設置



- 1 Press HOME on the remote control of this system. The Easy Setup screen is displayed on the TV screen. If the Easy Setup screen does not appear, use the remote control of the TV to switch the TV input setting to the HDMI input jack that connects the TV to the system.
 - 2 Press to select an item as instructed on the TV screen, and then press to perform Easy Setup.
 - 3 Once [Easy Initial Settings are complete.] appears, select [Finish].
- 1 按下本系統遙控器上的HOME。電視機螢幕上顯示簡易設置畫面。如果沒有出現簡易設置畫面，請使用電視機的遙控器將電視機輸入設定切換為將電視機連接系統的HDMI輸入插孔。
 - 2 按下依照電視機螢幕指示選擇項目，然後按下以執行簡易設置。
 - 3 一旦顯示[簡易初始設置完成。]，請選擇[完成]。

Tip

- On-screen instructions are displayed in the language you selected in this step.
- For details on the network connection, refer to "Enjoying with the Network Function" in the Operating Instructions (separate document).

提示

- 畫面上的說明是以您在此步驟所選擇的語言顯示。
- 如需網路連接的詳細資訊，請參閱使用說明書(另冊)中的“使用網路功能欣賞”。

7 Listening to the sound/聆聽聲音



Listening to the audio of the TV

- 1 Select the desired program using the remote control of the TV. The screen switches to the television broadcast screen and the TV audio is output from the system. If the sound of the TV does not output from the system, press INPUT +/- of the supplied remote control until "TV" appears in the front panel.
- 2 Adjust the volume. Adjust the volume by pressing on the remote control of the system. Adjust the volume of the subwoofer by pressing SW on the remote control of the system. For details on the sound quality adjustment, refer to "Selecting the Sound Effect" in the Operating Instructions (separate document).

聆聽電視機的聲音

- 1 以電視機的遙控器選擇所要的節目。畫面切換為電視廣播畫面，而且系統輸出電視機的聲音。如果系統沒有輸出電視機的聲音，請按下隨附遙控器的INPUT +/-，直到“TV”出現在前方面板中。
- 2 調整音量。按下系統遙控器上的，以調整音量。按下系統遙控器上的SW ，以調整主動式重低音揚聲器的音量。如需音質調整的詳細資訊，請參閱使用說明書(另冊)中的“選擇音效”。

To enjoy an input device other than the TV

- 1 Press HOME. The home menu appears on the TV screen.
- 2 Press to select the desired input on the home menu. For details, refer to "About the Home Menu" in the Operating Instructions (separate document).

若要使用電視機以外的輸入裝置

- 1 按下HOME。電視機螢幕上出現主選單。
- 2 按下在主選單上選擇所要的輸入。如需詳細資訊，請參閱使用說明書(另冊)中的“關於主選單”。

Troubleshooting/故障排除

No TV sound is output from the system, or no picture is displayed on the TV

- Press INPUT +/- on the remote control of the system repeatedly until "TV" appears in the front panel display on the system.
- Make sure that the input and output of the HDMI jack of the system are correct.
- Disconnect the cables that are connected between the TV and the system, then connect them firmly again. Disconnect the AC power cords of the TV and the system from the AC outlets (mains), then connect them again.
- Depending on the order you turn on the TV and the system, the system may enter muting mode and "Muting" may appear in the front panel display. In this case, turn on the TV first, then the system.
- When the TV and the system are connected via an HDMI cable, enable the control for HDMI function on the TV. For details on the TV's settings, refer to the operating instructions supplied with the TV. For more information about the control for HDMI function, refer to the Operating Instructions (separate document).
- Check the sound setting of the TV. When the TV is set to output the sound from the TV speakers, change the setting to output the sound from the external speakers.

系統沒有輸出電視機聲音，或是電視機沒有顯示圖像

- 重複按下系統遙控器上的INPUT +/-，直到“TV”出現在系統的前方面板顯示幕中。
- 確定系統的HDMI插孔輸入和輸出正確。
- 斷開連接在TV和系統之間的連接線，然後重新牢固地連接。從AC電源插座斷開TV和系統的AC電源線，然後重新連接。
- 視您開啟電視機和系統的順序而定，系統可能會進入靜音模式，而且前方面板顯示幕中可能會出現“Muting”。在此狀況下，請先開啟電視機，然後再開啟系統。
- 透過HDMI連接線連接電視機和系統時，在電視機上啟用HDMI控制功能。如需電視機設定的詳細資訊，請參閱電視機附帶的使用說明書。如需HDMI控制功能的詳細資訊，請參閱使用說明書(另外的文件)。
- 檢查TV的聲音設定。當TV設定為從TV揚聲器輸出聲音時，將設定更改為從外接揚聲器輸出聲音。

No picture or sound of the device connected to the system is output

- Press INPUT +/- on the remote control of the system repeatedly until the input connecting the desired device appears on the front panel display of the system.
- Make sure that the input and output of the HDMI jack of the system are correct.
- Disconnect the cables connected to the system, and then connect them again. Make sure that the cables are firmly inserted.

連接系統的裝置沒有輸出圖像或聲音

- 重複按下系統遙控器上的INPUT +/-，直到連接所需裝置的輸入出現在系統的前方面板顯示幕中。
- 確定系統的HDMI插孔輸入和輸出正確。
- 將連接系統的連接線拔出，然後重新連接。確定連接線牢固地插入。

The TV remote control does not work

- When the Bar Speaker obstructs the remote control sensor of the TV, the TV remote control may not work. In that case, set [IR-Repeater] to [On]. You can control the TV with the remote control of the TV. For details, refer to "Sending the Remote Signal to the TV via the Unit" in the Operating Instructions (separate document).

電視機遙控器無效

- 當主動式揚聲器系統阻礙電視機的遙控器感應器時，電視機遙控器可能無效。在此狀況下，請將[IR-Repeater]設為[開]。您可以使用電視機的遙控器控制電視機。如需詳細資訊，請參閱使用說明書(另外的文件)中的“透過裝置將遙控訊號傳送到TV”。

No sound or only a very low-level sound is heard from the subwoofer

- Press SW on the remote control of the system to increase the volume of the subwoofer.
- Refer to "Troubleshooting" in the Operating Instructions (separate document).

主動式重低音揚聲器沒有發出聲音或聲音非常微弱

- 按下系統遙控器上的SW 提高主動式重低音揚聲器的音量。
- 請參閱使用說明書(另冊)中的“故障排除”。

SongPal Link

Have more fun with additional Sony wireless speakers (not supplied). Please refer to the Operating Instructions (separate document) for SongPal Link features.



搭配其他Sony無線揚聲器(未隨附)使用可體驗更多樂趣。請參閱使用說明書(另冊)中的SongPal Link功能。

