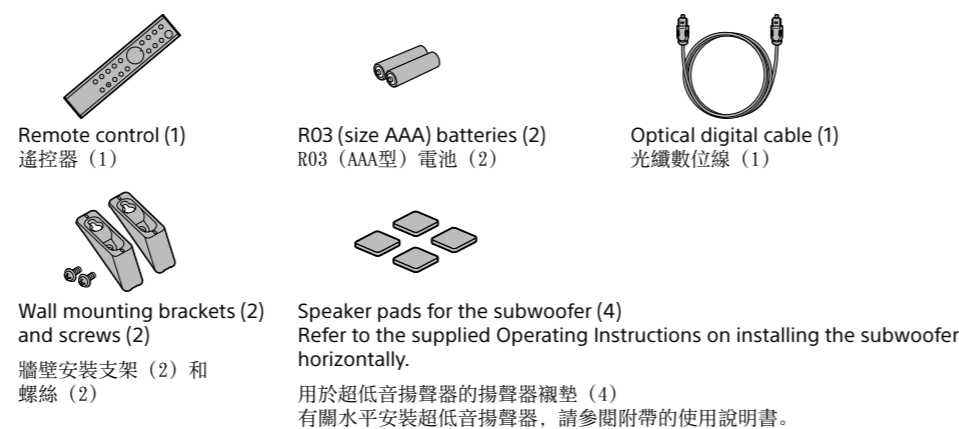


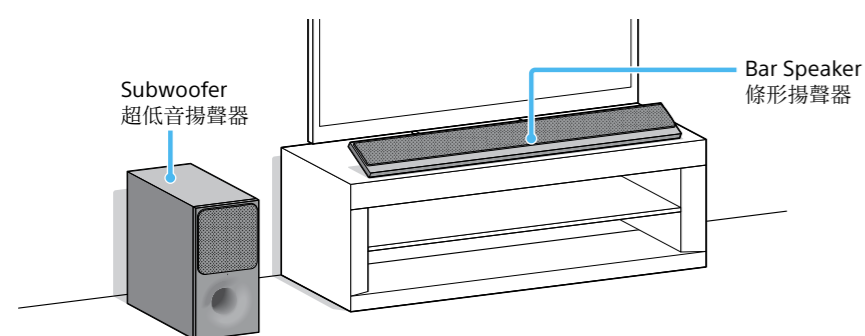


GB  
CT

Supplied accessories  
附件

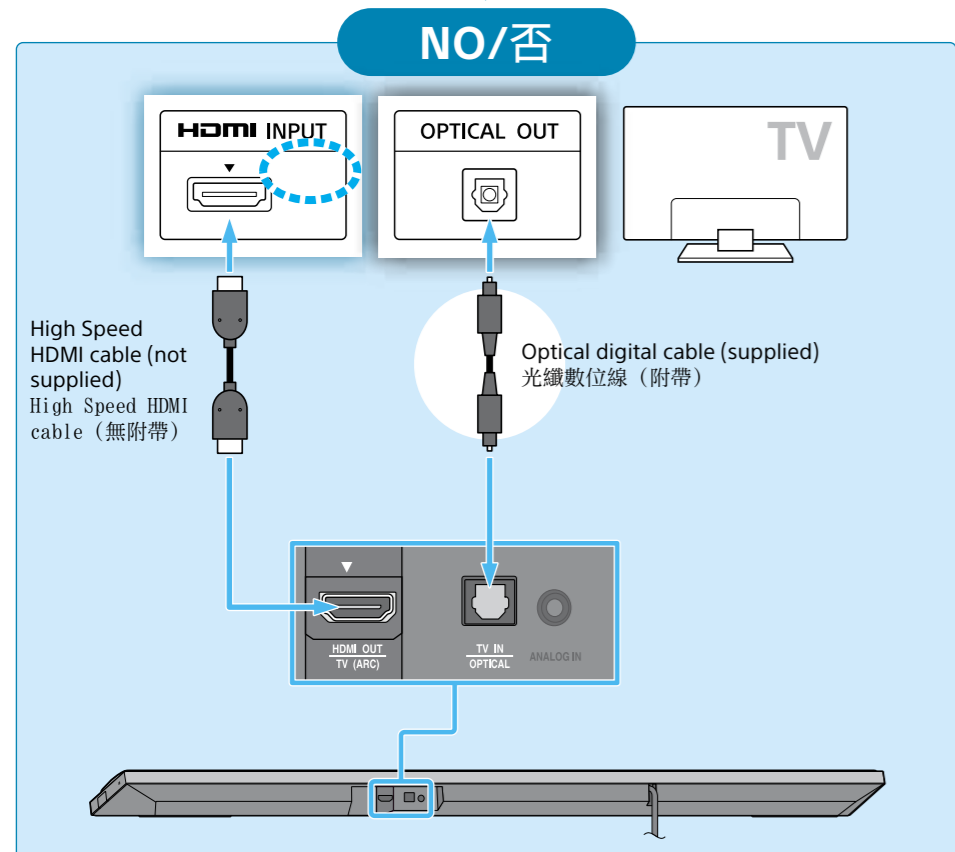


**To mount the Bar Speaker on a wall**  
Refer to the supplied Operating Instructions.  
將條形揚聲器安裝在牆上  
請參閱附帶的使用說明書。

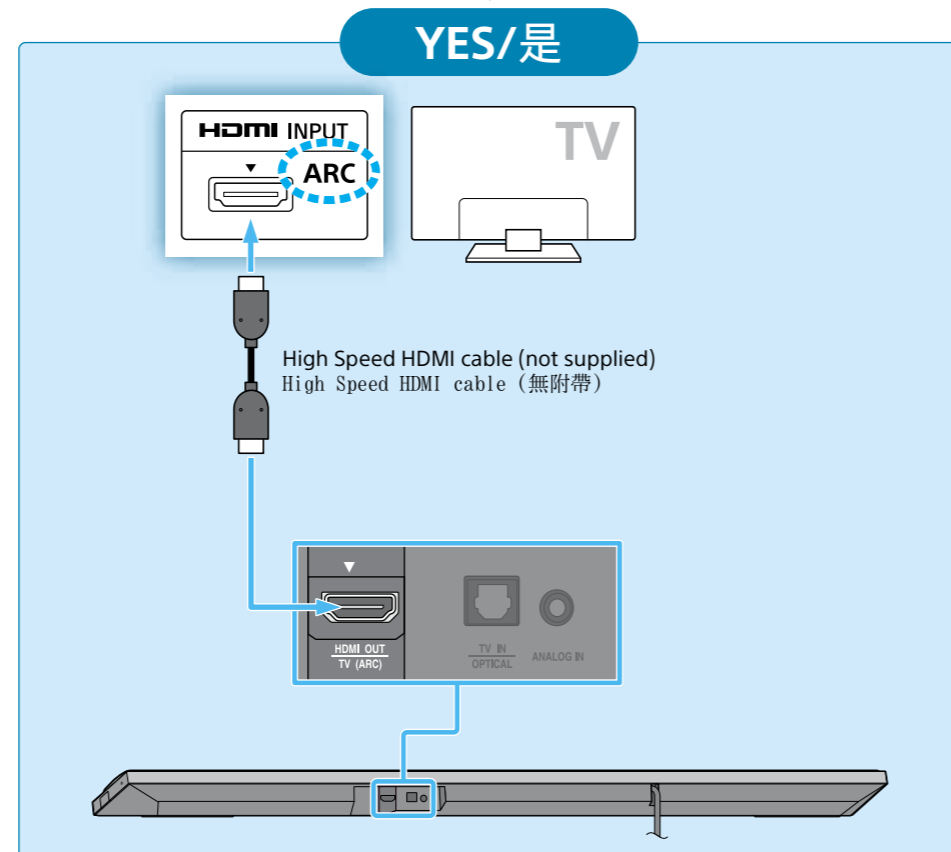


1 Connecting with a TV  
與電視機連接

Is the HDMI input jack on your TV labeled "ARC" ?  
您的電視機上的 HDMI 輸入插孔標註了 "ARC" 嗎?



**Note**  
Make sure that the HDMI cable is firmly inserted.

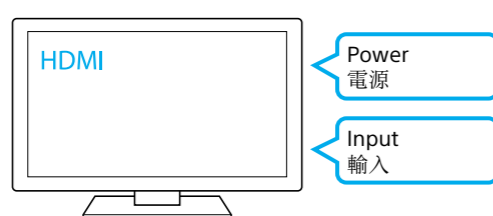


**註**  
請確保 HDMI 連接線已牢固插入。

2 Setting up the remote control  
設定遙控器



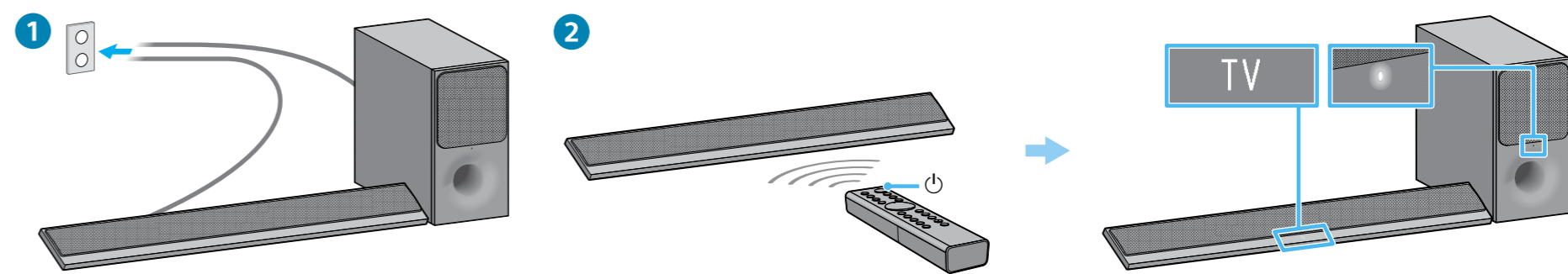
3 Turning on the TV  
開啓電視機



Change the input of the TV to the input which the Bar Speaker is connected.

將電視機的輸入更改至條形揚聲器連接的輸入。

4 Turning on the system  
開啓系統

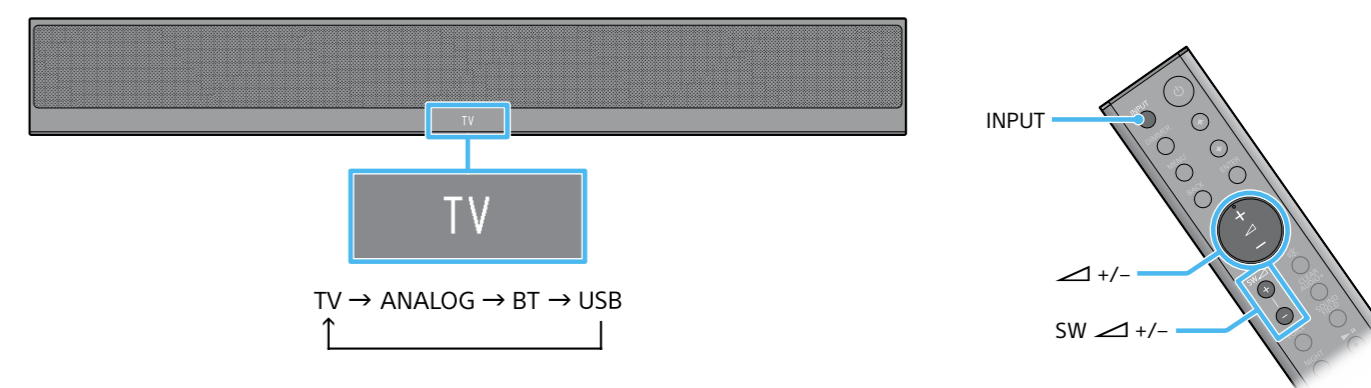


- 1 Connect the AC power cords (mains leads).
- 2 Press **⏻** (power).

The top panel display lights up.  
When the power indicator of the subwoofer turns green, wireless connection of Bar Speaker and subwoofer is completed. If it does not turn on, the wireless transmission is not activated. Refer to "No sound is heard from the subwoofer." of "Troubleshooting" in the supplied Operating Instructions.

- 1 連接交流電源線。
  - 2 按 **⏻** (電源)。
- 頂顯示面板亮起。  
當超低音揚聲器的電源指示器轉為綠色時，條形揚聲器和超低音揚聲器的無線連接完成。如果系統未開啓，則無線傳送不啟動。請參閱附帶的使用說明書內 "故障排除" 中的 "從超低音揚聲器中聽不到聲音。"

5 Listening to the sound  
聆聽聲音



Press **INPUT** repeatedly until the device you want appears in the top panel display. Then, press **⏮** +/- repeatedly to adjust the volume of the system and press **SW** +/- repeatedly to adjust the volume of the subwoofer.

重複按 **INPUT** 直至您的裝置出現在頂顯示面板。然後，重複按 **⏮** +/- 以調節系統的音量，重複按 **SW** +/- 以調節超低音揚聲器的音量。

Setup completed! Enjoy!

設定完成！享受吧！

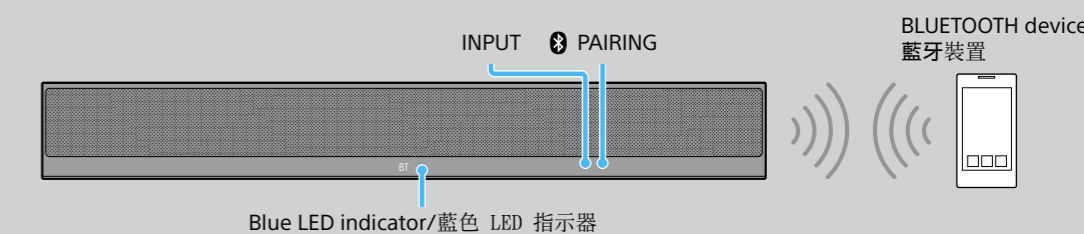
Please refer to the supplied Operating Instructions about the sound mode, and other functions.

有關聲音模式及其它功能，請參閱附帶的使用說明書。



Listening to music from a BLUETOOTH device  
聆聽來自藍牙裝置的音樂

When pairing a BLUETOOTH device  
配對藍牙裝置時



To pair the system with a BLUETOOTH device (Pairing)

- 1 Place the BLUETOOTH device within 1 meter from the Bar Speaker.
- 2 Press **Ⓟ** PAIRING on the Bar Speaker. The blue LED indicator on the Bar Speaker flashes quickly (●●●) during BLUETOOTH pairing.
- 3 Turn on the BLUETOOTH function, and then select "HT-CT390" after searching for it on the BLUETOOTH device. Perform this step within 5 minutes, otherwise pairing mode may be canceled. When the BLUETOOTH connection is established, the blue LED indicator lights up (●). If passkey is required on the BLUETOOTH device, enter "0000".

To listen to music from the paired device

- 1 Turn the BLUETOOTH function of the paired device to on.
- 2 Press **INPUT** repeatedly to select "BT". The system automatically reconnects to the BLUETOOTH device it was most recently connected to. When the BLUETOOTH connection is established, the blue LED indicator lights up (●).
- 3 Start playback on the BLUETOOTH device.
- 4 Adjust the volume.

When using One-touch connection (NFC)  
使用一觸式連接 (NFC) 時



- 1 Hold the remote device near to the N-Mark on the Bar Speaker until the remote device vibrates. When the BLUETOOTH connection is established, the blue LED indicator on the Bar Speaker lights up (●).
- 2 Start playback of audio source on the remote device.
  - Compatible remote devices
  - Remote devices with a built-in NFC function (OS: Android™ 2.3.3 or later, excluding Android 3.x)

To pair the system with a BLUETOOTH device (Pairing)

- 1 將藍牙裝置放在離條形揚聲器 1 米內之處。
- 2 按條形揚聲器上的 **Ⓟ** PAIRING。藍牙配對時條形揚聲器上的藍色 LED 指示器快速閃爍 (●●●)。
- 3 開啓藍牙功能，然後在藍牙裝置上搜尋 "HT-CT390"，搜到後再進行選擇。在 5 分鐘內進行此步驟，否則配對模式可能會被取消。當藍牙連接建立時，藍色 LED 指示器亮起 (●)。如果藍牙裝置需要密碼，輸入 "0000"。

To listen to music from the paired device

- 1 開啓配對裝置的藍牙功能。
- 2 重複按 **INPUT** 以選擇 "BT"。系統自動與最近連接的藍牙裝置重新連接。當藍牙連接建立時，藍色 LED 指示器亮起 (●)。
- 3 開始在藍牙裝置上播放。
- 4 調節音量。

- 1 將遠程裝置握近條形揚聲器上的 N-標記直至遠程裝置振動。當藍牙連接建立時，條形揚聲器上的藍色 LED 指示器亮起 (●)。
- 2 開始播放遠程裝置上的音源。
  - 兼容的遠程裝置
  - 備有內置 NFC 功能的遠程裝置 (操作系統: Android™ 2.3.3 或更新, Android 3.x 除外)



**SongPal**  
A dedicated App for this model is available on both Google Play™ and App Store.  
Search for "SongPal" and download the free App to find out more about the convenient features.

可從 Google Play™ 和 App Store 獲取此型號的專用應用程序。  
搜索 "SongPal" 並下載免費的應用程序以獲取更多有關方便的功能。